



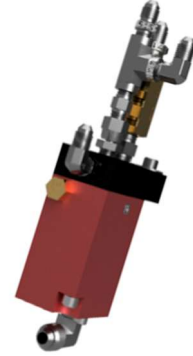
AMCOL Corporation

034 Spray Atomizer

PRODUCT
UPDATE

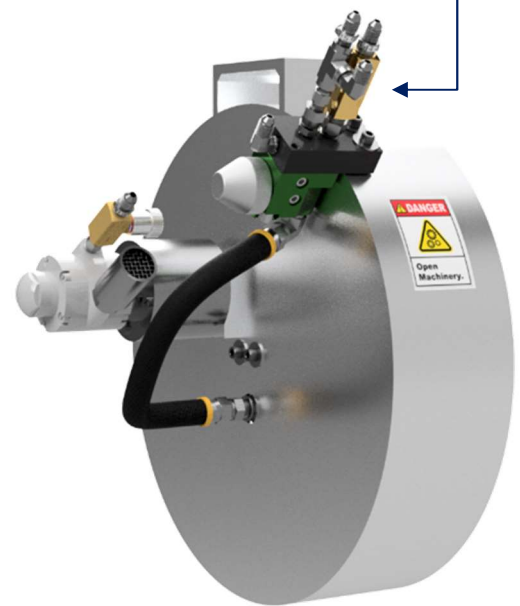
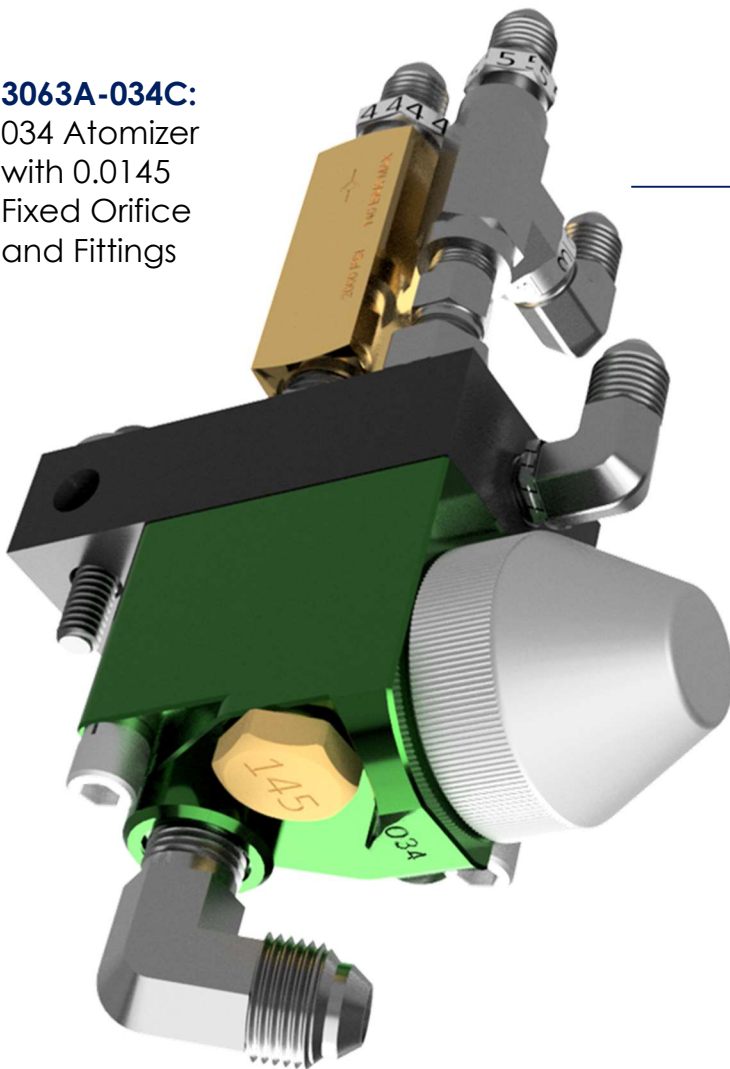
AMCOL - 034 Spray Nozzle, 10/13/2023, AA-0014, Approved for Use, Page 1 of 2

AMCOL has refined the 3063 Billet Spray Systems. The new **034 Spray Atomizer** replaces the obsolete 025 model. The new 034 design simplifies and improves spray atomization, disassembly and repair process, and shares components with the 204 Atomizer for the 3049 Shear Sprayer. The 034 connections, orifice size, settings, and mounting are the same as the 025, making retrofits to older systems relatively easy.



3063A-025C: Atomizer
obsolete version
(no longer available)

3063A-034C:
034 Atomizer
with 0.0145
Fixed Orifice
and Fittings



034 Atomizer Shown on
Overspray Cover



AMCOL Corporation

034 Spray Atomizer

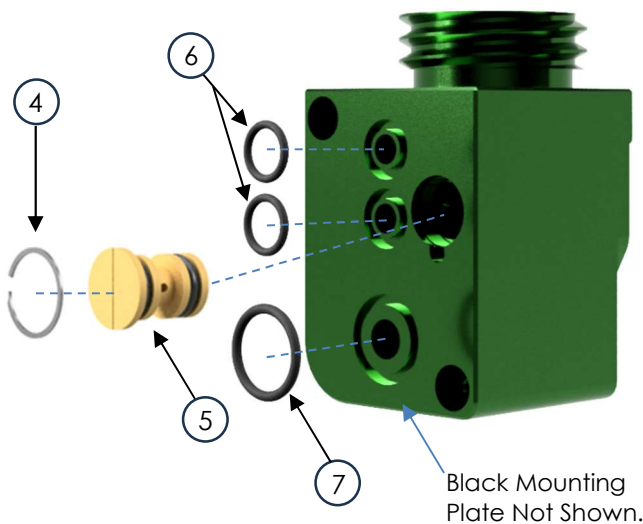
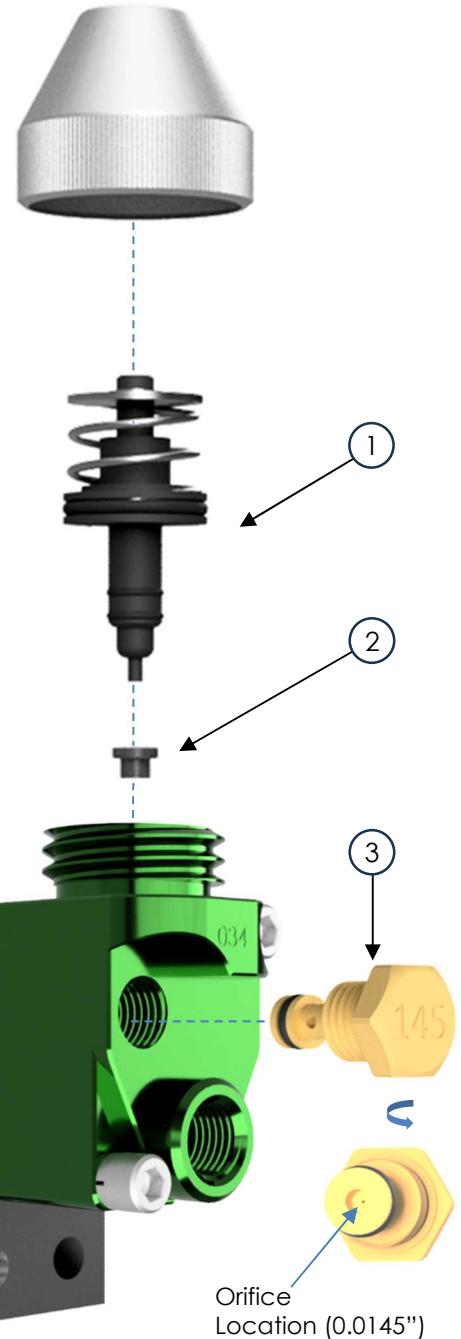
PRODUCT
UPDATE

AMCOL - 034 Spray Nozzle, 10/13/2023, AA-0014, Approved for Use, Page 2 of 2

034-0145-AC: 034 Atomizer w/ 0.0145 Fixed Orifice

Exploded View

Item	QTY	Part Number	Description
1	1	A4005642	Poppet Assembly
2	1	A3031488	Nozzle Seat (PTFE)
3	1	A3031801-AC0145	034 0.0145 Flow Restrictor w/O-Rings
4	1	A2020940	Retention Clip
5	1	A4005667	OX4 Series Nozzle Metering Seat
6	2	A2023024-2-010	2-010 PTFE O-Ring
7	1	A2023024-2-013	2-013 PTFE O-Ring
Additional Items			
		A4008279	034/204 Rebuild Kit (#1, 2, 4, 5)
		034-FR-OK	034 Flow Restrictor O-Ring Kit
		2841A84	Fixed Orifice Clean Out Tool



Note: 034 and 025 orifice assemblies/flow restrictors are not interchangeable.

For more information about 3063 Systems please see the AMCOL 3063 Billet Spray Systems Technical Bulletin and Operator's Manual.