



# AMCOL Corporation

## 204 Atomizing Spray Nozzle

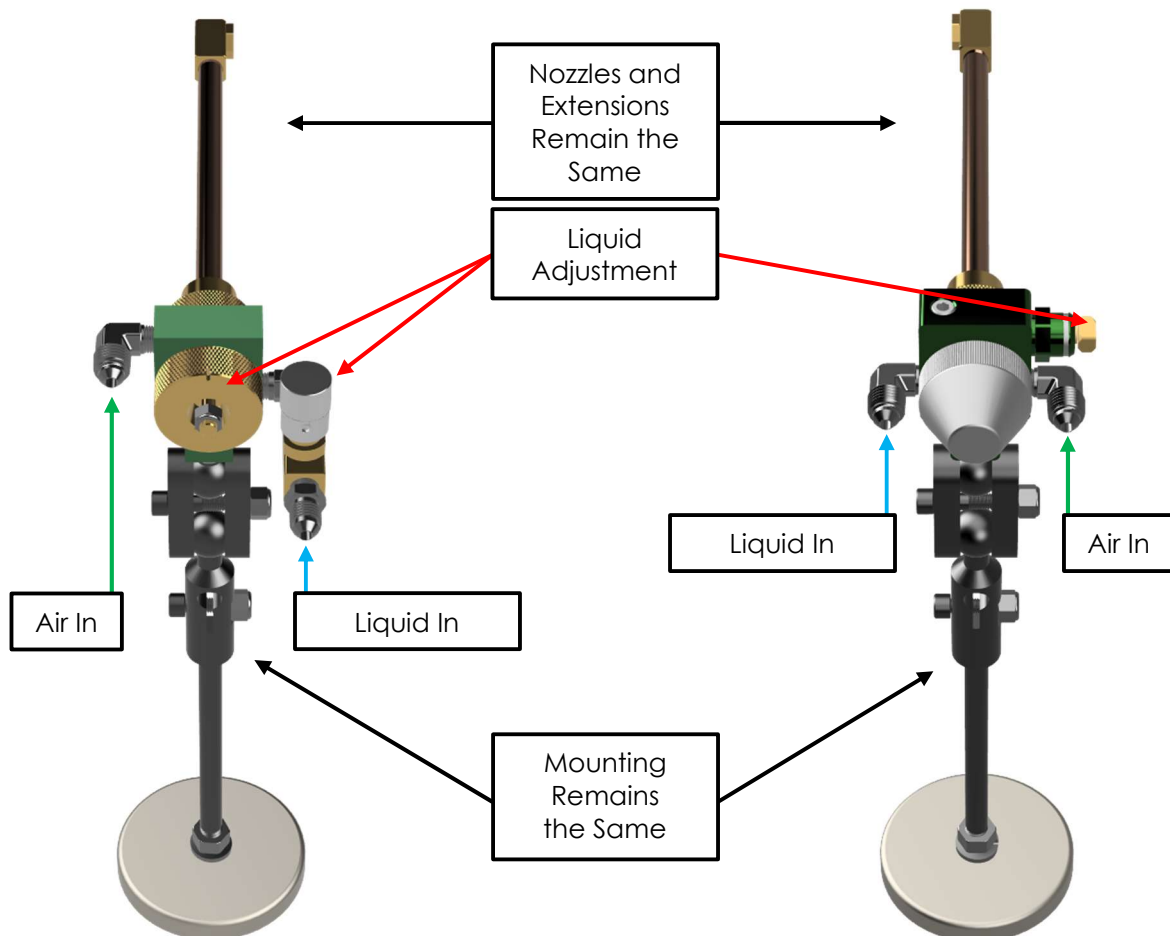
PRODUCT  
BULLETIN

AMCOL - 204 Atomizing Spray Nozzle, 02/08/2023, AA-0014, Approved for Use, Page 1 of 2

AMCOL is refining the 3049B Hot Shear Lubrication System. The new **204 Atomizing Spray Nozzle** will replace the older 202 model. 204 is now the only available part. This new 204 design replaces the two stage macro/micro adjustments of the previous 202 with a single adjustment built into the spray body. Liquid volume is adjusted by rotating the knob which clicks into place. The connections, air settings, spray extensions, and mounting are the same, making retrofits to older systems simple (air and liquid connections are on opposite sides compared to the 202).

**202 Atomizing Spray Nozzle**  
(obsolete version)

**204 Atomizing Spray Nozzle**  
(updated version)





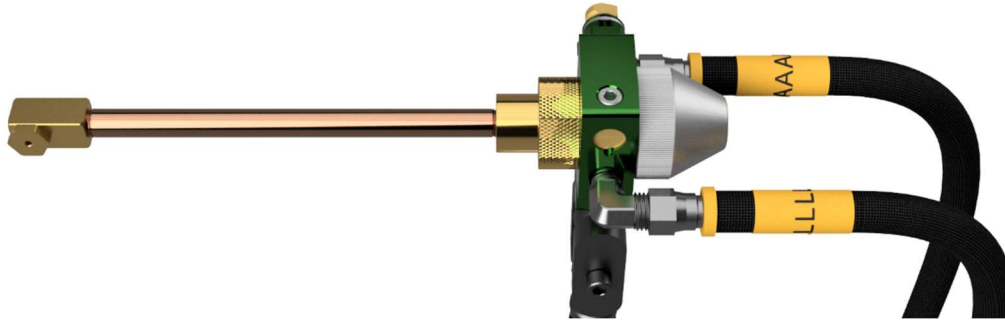
# AMCOL Corporation

## 204 Atomizing Spray Nozzle

PRODUCT  
BULLETIN

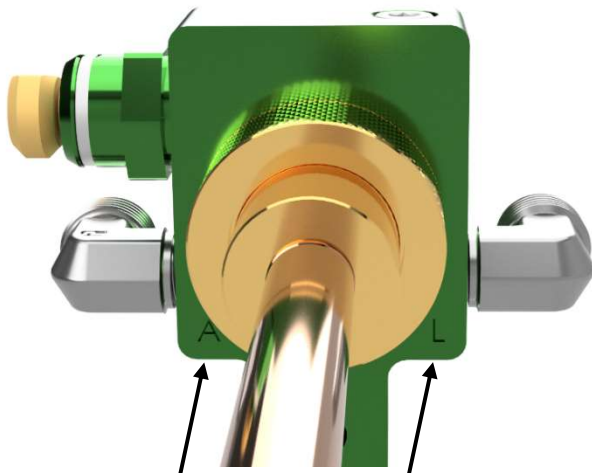
AMCOL - 204 Atomizing Spray Nozzle, 02/08/2023, AA-0014, Approved for Use, Page 2 of 2

### The 204 Atomizing Spray Nozzle with Hoses and Labels



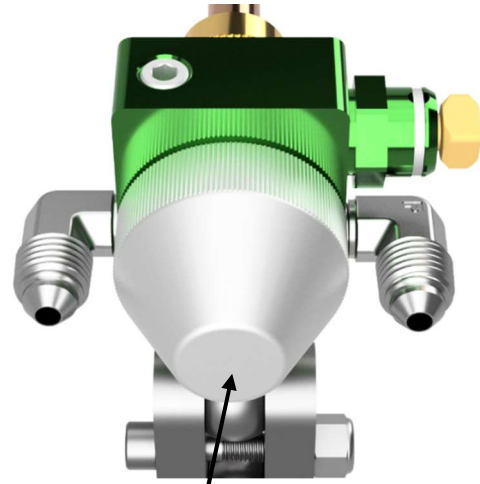
### For Customers Retrofitting to the Updated 204

204 Front View



The Air and Liquid connections are reversed compared to the obsolete 202 Nozzle.

204 Back View



This poppet cap is used to disassemble the 204 atomizer for rebuild. It is not an adjustment and must be tight.

### 204 Part Number Configurations

Part Number	Description
204-014-AC	204 Spray Nozzle (no fittings, tips or mounting)
204-014F	204 Spray Nozzle with Fittings (does not include spray tip or mounting)
204-SPE9006-MMB-M	204 Extended Nozzle with Multifunctional Magnetic Mount and 90 Deg. Spray Tip
A4008279	Repair Kit for 204

For more information about 3049B Systems please see the AMCOL 3049B Automatic Butt Discard System Technical Bulletin and Operator's Manual.

If you have questions, please contact your AMCOL Sales Representative at 248-414-5700 or visit us on the web at [www.amcolcorp.com](http://www.amcolcorp.com).